

ETITEC V T2 255/20 1+0



Specificatii

Cod ETI	002442952
Descriere	ETITEC V T2 255/20 1+0
Denumire clasă	Protec ie supratensiuni
Tip	T2
In (8/20)	20kA
Parte superioara - Nivel de protectie a tensiunii (kV)	1.5kV
Curent de scurgere	DA
Tehnologie aplicata	MOV
Semnalare la distan ă	NU
Sistem re ea	TN
Numarul de module	1
Adancime incorporata (mm)	68mm
Func ie	SPD
Grup Catalog	ETITEC V
AC max continous operating voltage Uc	255V

Pagina de produse online

Alta documentatie



Catalog caracteristici tehnice

Model 3D

2D mușchi

Manual de instructiuni

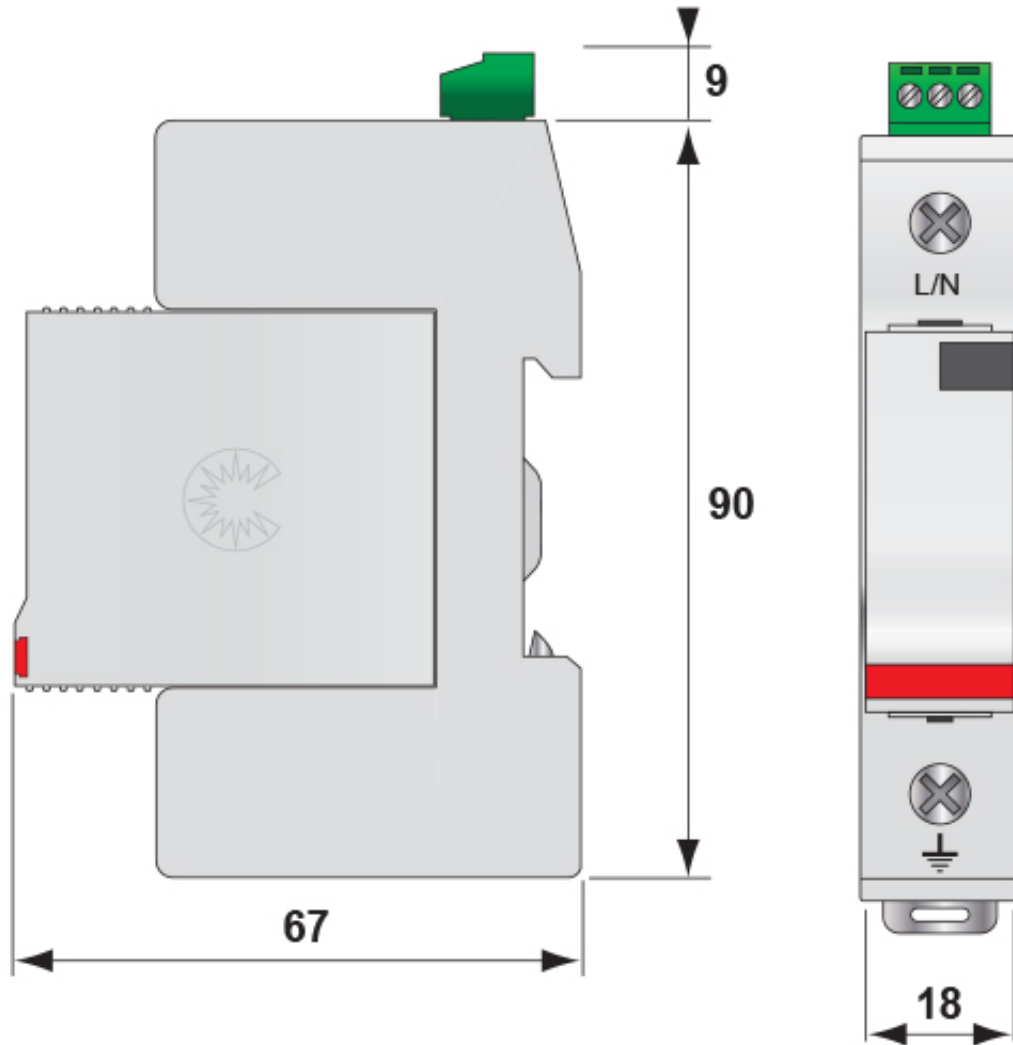
Declaratie CE

Eplan mușchi

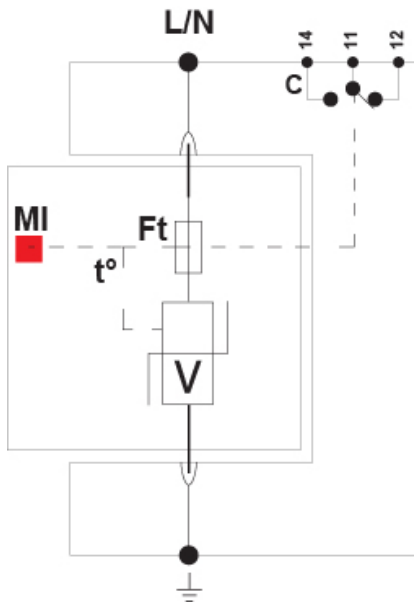
ETIM clasificare internațională

Clasificare	EC000941
Denumire clasă	Surge protection device for power supply systems
System configuration DC	
System configuration IT	
System configuration TN	1
System configuration TN-C	1
System configuration TN-S	1
System configuration TT	
System configuration other	
Nominal discharge surge current (8/20)	20kA
Nominal voltage AC	230V
Short-circuit breaking capacity (I _{sc})	25kA
Max. continuous voltage AC	255V
Max. discharge surge current (8/20)	40kA
Mounting method	DIN rail (top hat rail) 35 mm
Max. conductor cross section solid (solid, stranded)	35mm ²
Max. conductor cross section flexible (fine-strand)	25mm ²
With remote signalling contact	
Integrated backup fuse	
Signalling at the device	Optical
Category type 2	1
Degree of protection (IP)	IP20

Desen cotat



Simbol/Conexiune



- V: High-energy varistor
- Ft: Thermal fuse
- C: Remote signaling contact
- t°: Thermal disconnection system
- Mi : Disconnection indicator