

Date tehnice pentru produs: IKA21456--

Clemă dublă Al-Cu, 1 p. negru, 95mmp / 70mmp cu pin

for copper conductors according to IEC 60947-7-1 and UL 1059, CSA-C22.2 No. 158, for aluminum conductors according to IEC 61238-1 and UL 1059, CSA-C22.2 No. 158, note maintenance instructions



Schrack Info

- Distribution block for connecting Al and Cu conductors
- 50mm² up to 300mm² models available
- When using aluminium conductors the common practices for installation must be observed
- Adjust the contact clamps after 6-8 weeks
- Aluminum-terminals for solid round conductors (RE), multi-wire conductors (RM), fine-stranded conductors with end ferrules and also sector conductors (SE and SM)

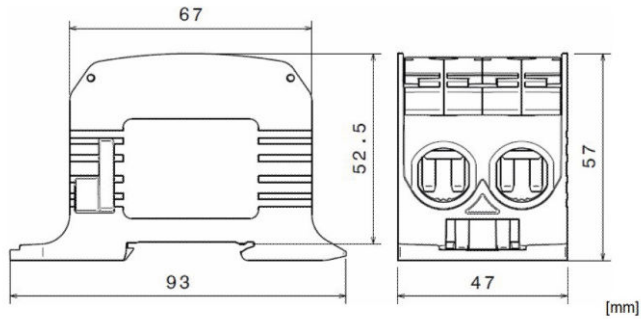
Fișe tehnice

Adâncime netă (mm)	57,00
Lățime netă (mm)	47,00
Masă netă (kg.)	0,03
COD EAN	9004840594843
disipare (W)	2,30
Temperatura minimă a mediului ambiant (°C)	-25
Temperatura maximă a mediului ambiant (°C)	80
Descriere de bază	Clemă

Tabel de date: Clemă dublă Al-Cu, 1 p. negru, 95mmp / 70mmp cu pin

Vorschriften:	Zulassung nach IEC 60947-7-1, UL1059					
Nennspannung:	1,000VAC / 1,000VDC					
Strombelastbarkeit:	IEC 60947-7-1		Cu: 232A			
	UL 1059		Cu: 200A, Al: 155A			
Bemessungsquerschnitt:	95mm ²					
Stoßspannungsfestigkeit:	8kV					
Verschmutzungsgrad:	3					
Überspannungskategorie:	III					
CTI Wert:	550					
Anschlussquerschnitte:	Anzahl Anschlüsse: 4x95mm ² (Rund & Sektorleiter)			Anzahl Anschlüsse: 4x600kcmil (Rund & Sektorleiter)		
	IEC 60947-7-1			UL1059, CSA-C22.2 No. 158		
	Cu			Cu		Al
		Eindrähtig / Mehrdrähtig	Feindrähtig mit Aderendhülse		Eindrähtig / Mehrdrähtig	Feindrähtig mit Aderendhülse
	95mm ²	19Nm	-	AWG 3/0	22,6Nm	-
	70mm ²		19Nm	AWG 2/0		22,6Nm
	50mm ²			AWG 1/0		
	35mm ²	14Nm	14Nm	AWG 2	22,6Nm	22,6Nm
	25mm ²			AWG 4		
	16mm ²			AWG 6		
10mm ²	-	-	AWG 8	-	-	
Abisolierlänge	26mm					
Innensechskant	M14 (SW 6mm)					
Messanschlüsse:	Anzahl Anschlüsse: 2x10mm ² (Rund und Sektorleiter)			Anzahl Anschlüsse: 2xAWG 8 (Rund und Sektorleiter)		
	10mm ²	1,2Nm	-	AWG 8	2,3Nm	-
	6mm ²		1,2Nm	AWG 10		2,3Nm
	4mm ²			AWG 12		
	2,5mm ²		AWG 14			
	1,5mm ²	-	-	AWG 16	-	-
Abisolierlänge	10mm					
Schraube	M4 (+/-PZ2)					
Werkstoffe:	Klemmkörper:	Aluminium verzinkt				
	Gehäuse:	PA 6 (Halogenfrei)				
	Schrauben:	Stahl verzinkt				
Flammwidrigkeit:	Selbstverlöschend					
Ausführung:	Fingersicher IP 20 (DIN EN 60529)					

Desen dimensional: Clemă dublă Al-Cu, 1 p. negru, 95mmp / 70mmp cu pin



Tabel articole

Descriere	Cod comandă
<p>Clemă dublă Al-Cu, 1 p. negru, 95mm / 70mm cu pin for copper conductors according to IEC 60947-7-1 and UL 1059, CSA-C22.2 No. 158, for aluminum conductors according to IEC IKA21456 61238-1 and UL 1059, CSA-C22.2 No. 158, note maintenance instructions</p>	
Accesorii necesare	
<p>Vaselină de contacte, protecție acid pt cond. de Al tub 200g 200g tub de vaselină de potasiu DIN 51825 K 2 C-40, de ex. pentru acoperirea aluminiului</p>	IKAP0200